

SOLAR



**“Energy efficient  
gas & electric boosted  
solar hot water”**



AQUAMAX GAS & ELECTRIC BOOSTED SOLAR WATER HEATERS

## AquaMAX Gas Boosted Solar Hot Water

AquaMAX Gas Boosted Solar Hot Water systems offer solar hot water with a continuous flow booster to ensure continuity of supply over the colder months. Supplied in both wall mount or tank mounted configurations; each system comprises a continuous flow gas water heater booster, a vitreous enamel storage tank, a solar controller/pump and solar collector(s) as displayed. In addition, brackets, braided leads and fittings are supplied for tank mounted versions.

- Available in 165L, 260L, 325L and 415L capacities
- Energy Efficient - cuts energy use by up to 60%<sup>2</sup>
- Lower greenhouse emissions
- Eligible for STC's and Government rebates<sup>3</sup>
- Split System with slimline collector(s) on roof and ground mounted tank
- 5 Year AquaMAX cylinder warranty - conditions apply<sup>1</sup>

Gas Boosted Solar Specifications	SG165-20-1S	SG260-20-1S	SG260-20-2S	SG325-20-2S	SG165-26-1S	SG260-26-1S	SG260-26-2S	SG325-26-2S	SC415-26-2S	SC415-26-3S
Continuous Flow Gas Booster	AquaMAX 20				AquaMAX 26					
Number of Bathrooms	1 - 1.5				2 - 2.5					
Tank Capacity L	165	260	260	325	165	260	260	325	415	415
No of Collectors	1	1	2	2	1	1	2	2	2	3
STCs Zone 1 <sup>6</sup>	13	34	35	33	13	34	29	29	34	42
STCs Zone 2 <sup>6</sup>	15	15	38	39	15	15	31	31	39	44
STCs Zone 3 <sup>6</sup>	13	32	31	33	13	32	28	28	41	42
STCs Zone 4 <sup>6</sup>	11	26	26	28	11	11	26	24	35	36
Number of people	2-5	2-5	2-5	3-6	2-5	2-5	2-5	3-6	4-6	4-6
Tank - Height mm	1605	1435	1755	1605	1435	1755	1760			
Tank - Diameter mm	487	620	620	487	620	620	685			
Tank - Weight (empty) kg	60	75	90	60	75	90	100			
Gas Type	Natural/LPG				Natural/LPG					
Gas Energy Rating	6.0 Stars				5.9 Stars					
Flow Rate L/min at 25°C rise	20L/min				26L/min					
Minimum Operating Flow Rate	2.5L/min				3.0L/min					
Nominal Gas Consumption	153 MJ/hr				199 MJ/hr					
Booster Weight (empty)	18kg				21kg					
Max. Water Supply Pressure	1000kPa				1000kPa					
Min. Water Supply Pressure	140kPa				140kPa					
Cold Water Connection	Rp 20 (3/4") Female				Rp 20 (3/4") Female					
Hot Water Connection	Rp 20 (3/4") Female				Rp 20 (3/4") Female					
Gas Connection	Rp 20 (3/4") Female				Rp 20 (3/4") Female					
StandardsMark Licence No.	SMKP20142				SMKP20142					
Booster - Height mm	520				565					
Booster - Width mm	350				350					
Booster - Depth mm	163				205					



AquaMAX energy efficient S  
reductions on energy use a



Solar Collector Specifications

Height  
1937



## AquaMAX Electric Boosted Solar Hot Water

AquaMax Electric Boosted Solar Hot Water systems offer energy efficient water heating where installation or gas availability issues make electric boost the best option. Backed by a five year cylinder warranty<sup>1</sup> AquaMAX Electric Boosted Solar systems are available in a number of tank capacities, each system comprising a vitreous enamel storage tank with electric boost element, a solar controller/pump and solar collector(s) as displayed below.

- Available in 260L, 325L and 415L capacities
- Mains pressure for multiple outlets
- Split System with slimline collector(s) on roof and ground mounted tank
- Eligible for STC's and Government rebates<sup>3</sup>
- 5 Year AquaMAX cylinder warranty - conditions apply<sup>1</sup>

Solar hot water systems provide big and greenhouse gas emissions.<sup>2</sup>



Width	Depth	Weight - Empty	Weight - Full
1022	79	35kg	38kg

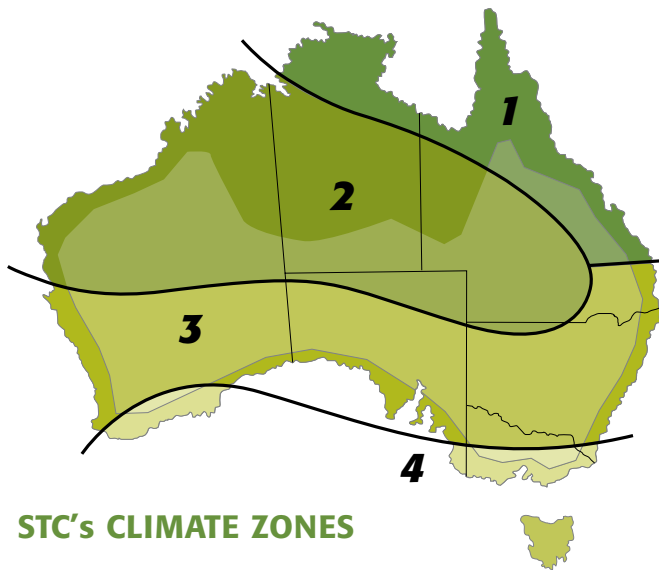
Electric Boosted Solar Specifications	SE260-36-2S	SE325-36-2S	SE415-36-2S	SE415-36-3S	SE415-48-2S	SE415-48-3S
Hot Water Delivery L	260	325	415	415	415	415
Number of People	1-3	2-4	3-5	3-5	3-5	3-5
Number of Bathrooms	1	2	3			
No of Collectors	2	2	2	3	2	3
STCs Zone 1 <sup>6</sup>	30	29	30	41	30	41
STCs Zone 2 <sup>6</sup>	31	31	31	44	31	44
STCs Zone 3 <sup>6</sup>	29	29	29	41	29	41
STCs Zone 4 <sup>6</sup>	26	25	25	36	25	36
Voltage (single phase)	240Vac					
Max. water supply pressure						
- with expansion control valve	680kPa					
- without expansion control valve	800kPa					
Pressure & Temp Relief valve	1000kPa					
ECV setting	850kPa					
Thermostat setting (Max)	70°C					
Cold Water connection	Rp 20 (3/4") Female					
Hot Water connection	Rp 20 (3/4") Female					
Protection rating	IPX4					
StandardsMark Licence No.	SMKP20142					
Electrical Safety Approval No.	V07072					
Tank - Diameter mm	620	620	685	685	685	685
Tank - Height mm	1435	1755	1760	1760	1760	1760
Tank - Weight (empty) kg	75	90	100	100	100	100

## ENERGY EFFICIENT AQUAMAX

AquaMAX's understanding of Australian conditions allows us to build water heaters to local demands.

By utilising solar energy over fossil fuels, AquaMAX Solar systems are eligible for STC's and government rebates,<sup>3</sup> making them a cost effective option to keep your home in hot water.<sup>2</sup>

STC's are calculated on the basis of climate zones as shown below and in the product charts. The more STC's for which the system is eligible, the greater the incentives you'll receive on installation. For details of current Federal and State based rebates please refer to your local retailer or call AquaMAX for more up-to-date details.



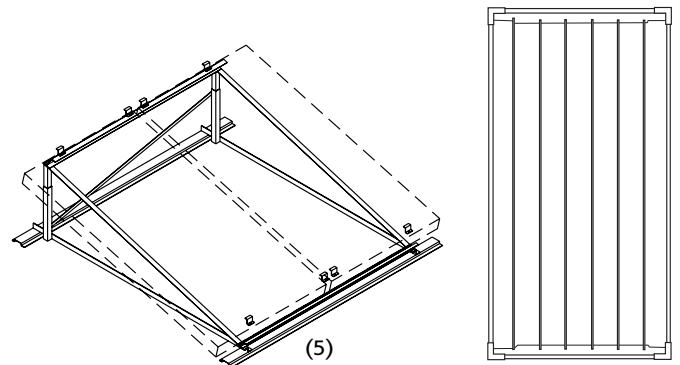
### STC's CLIMATE ZONES

- 1 Full Warranty conditions available on request from AquaMAX Australia Pty Ltd. Call Toll Free 1800 676 000 or view at [www.aquamax.com.au](http://www.aquamax.com.au)
- 2 Savings of 60% shown are based on Australian Government approved TRNSYS simulation modelling in Zone 3. Savings and incentives will vary depending upon your location, type of system installed, type of water heater being replaced, hot water consumption and fuel tariff. Maximum financial savings off your hot water bill are achievable when replacing an electric water heater on continuous tariff. Conditions Apply - refer AquaMAX Australia Toll Free on 1800 676 000 for conditions relevant to your area. STC's may be subject to change.
- 3 Conditions and eligibility criteria apply. Refer AquaMAX website [www.aquamax.com.au](http://www.aquamax.com.au).
- 4 Dependant on solar system selected and region installed. Note: please check product suitability for your conditions prior to installation in frost prone areas.
- 5 Flat roof stands may not suit all applications. Please contact AquaMAX Australia Pty. Ltd. on 1800 676 000 to confirm suitability for your installation.
- 6 STC values are subject to change, correct at 14/02/13

AquaMAX Solar Hot Water Systems can store up to 400 litres of solar heated water. For cloudy days, gas or electric boosting is available to ensure hot water can still be delivered.<sup>4</sup>

### AQUAMAX SOLAR ACCESSORIES

AquaMAX also stock a range of specific solar accessories for your AquaMAX solar system including variable pitch collector stands for flat roofs and kits for adding additional solar collectors.



**AquaMAX Australia Pty Ltd** 463-467 Warrigal Road Moorabbin Vic 3189 **Toll Free: 1800 676 000**  
 Ph: (03) 9532 2200 Sales Fax: (03) 9532 5244 Service Fax: (03) 9556 5534 A.B.N. 37 138 189 689  
 Email: [sales@aquamax.com.au](mailto:sales@aquamax.com.au) For more information visit [www.aquamax.com.au](http://www.aquamax.com.au)